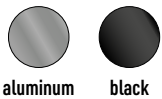


| DIMENSIONS | | LINEAR WEIGHT | MAX. LED STRIP WIDTH |
|------------|------------|----------------|----------------------|
| W: 1.03 " | H: 0.45 " | 0.115 lbs / ft | W: 9 / 16 " |
| W: 26.2 mm | H: 11.5 mm | 0.171 kg / m | W: 14 mm |

LED STRIP COLOR OPTIONS

CHANNEL COLOR OPTIONS

MOUNTING

APPLICATIONS

OTHER OPTIONS


dot-free*

*with certain strips and opaline or prime lens



The LUX745 profile is designed to meet the daily needs of linear accent lighting. The LUX745 profile offers a wide selection of lenses, light outputs, and color options to produce a uniform linear light housed within a channel of extruded aluminum. This compact profile is recessed into coves, behind floating walls and ceilings, under cabinets, and in many other indirect applications.

PRODUCT FEATURES

Made of ALCOA 6063-T5 aluminum alloy increasing heat dissipation

Flanged edges for a recessed installation in a 19mm (3/4-inch) groove

Designed to give a uniform light without hot spots with certain strips and opaline or prime lens

Suitable for dry, damp or wet indoor locations

Designed to meet North American woodworking standards

Conforms to UL STD. 2108 - Suitable for installation for storage area of clothes closet

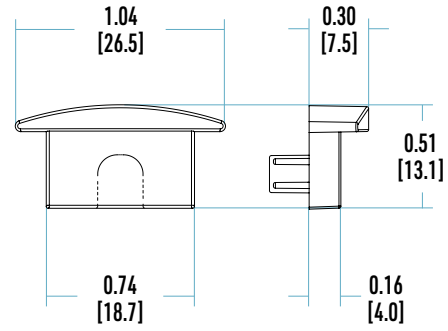
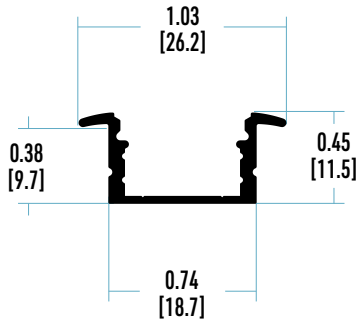


CHANNEL

END CAPS

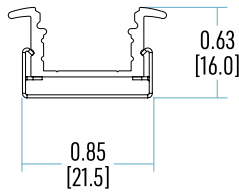
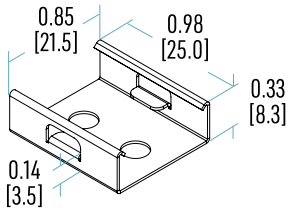
LUX745

REGULAR



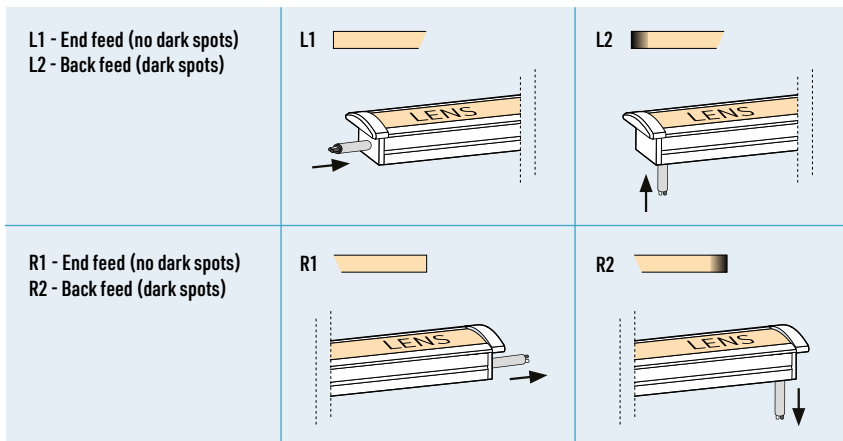
MOUNTING HARDWARE

FLAT BRACKET
(stainless steel)



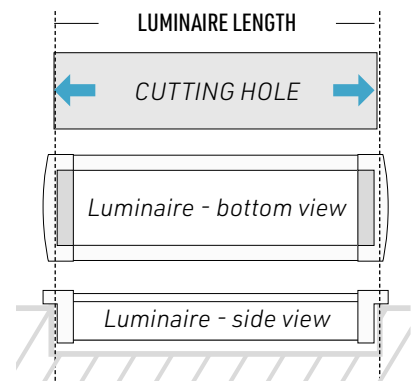
2 - WIRE CONNECTION

LUX745



End feed (no dark spots)

Use this diagram to correctly calculate the length.



LENSES AND HOTSPOTS CHART
@ FULL LIGHT OUTPUT

VISIBLE DOTS



MINIMAL VISIBLE DOTS



NO VISIBLE DOTS



| TYPE OF LED STRIP | CLEAR | FROST | PRIME | OPALIN |
|--|-------|-------|-------|--------|
| | | | | |
| 3528 - 60 / LEDs per meter | | | | |
| 3528/3014 - 120 / LEDs per meter | | | | |
| 2835 - 128 / LEDs per meter | | | | |
| 3528 - 180 / LEDs per meter | | | | |
| 2216 - 300 / LEDs per meter | | | | |
| 2835 - 320 / LEDs per meter | | | | |
| COB4 / COB8 / COB10 | | | | |
| 3014 CCT - 240 / LEDs per meter | | | | |
| COBCCT | | | | |
| RGB - 30 LEDs per meter | | | | |
| RGB / RGBW / RGCCT / - 60 LEDs per meter | | | | |
| RGBW - 96 LEDs per meter | | | | |
| RGB 3535 - 120 LEDs per meter | | | | |
| COBRGB / COBRGBW | | | | |